

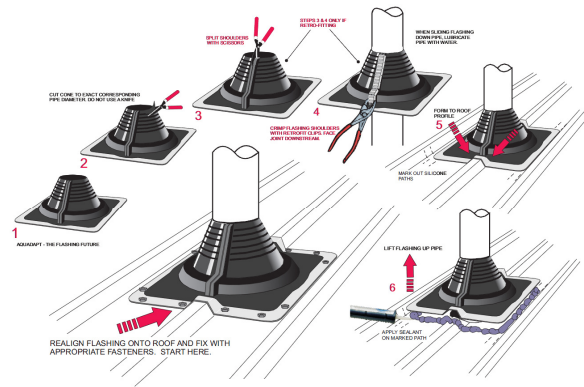


AQUARIUS RUBBER

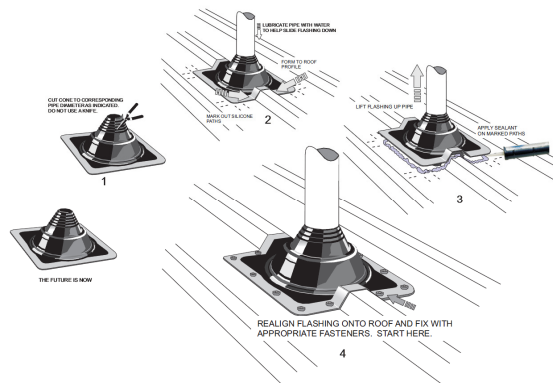
Installation Instructions

www.aquariusrubber.com.au

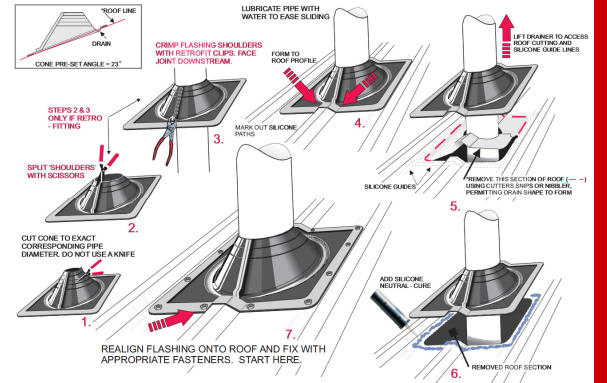
Aquadapt Installation (Page 2)



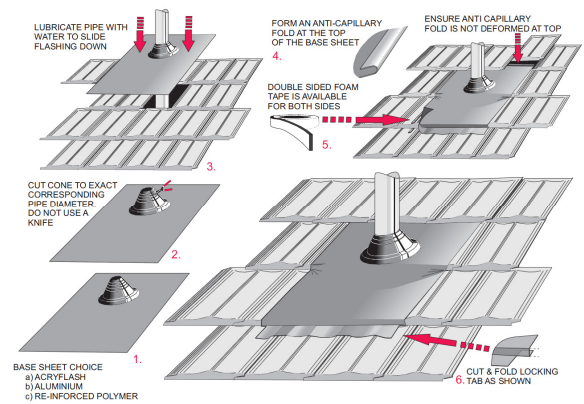
FlashRite Installation (Page 3)



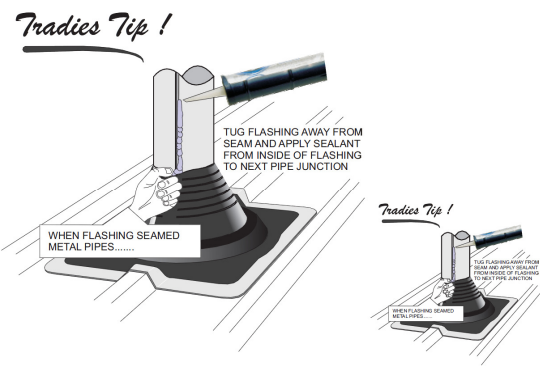
Drainer Installation (Page 4)



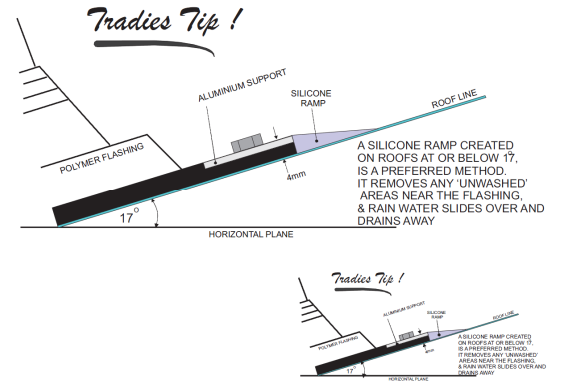
Versatile Installation (Page 5)



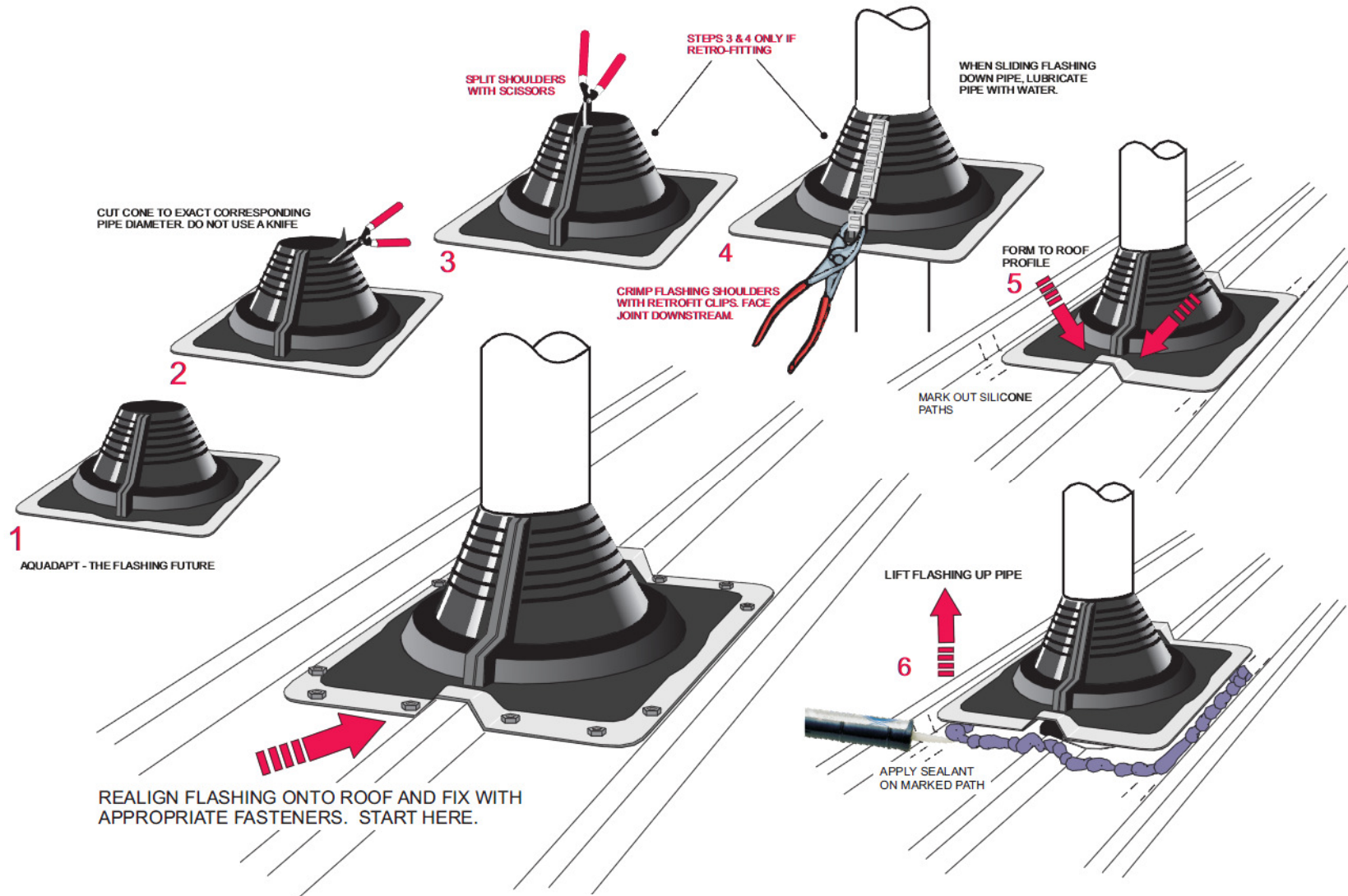
Tradies Tip - Seamed Pipes (Page 6)



Tradies Tip - Silicone Ramp (Page 7)

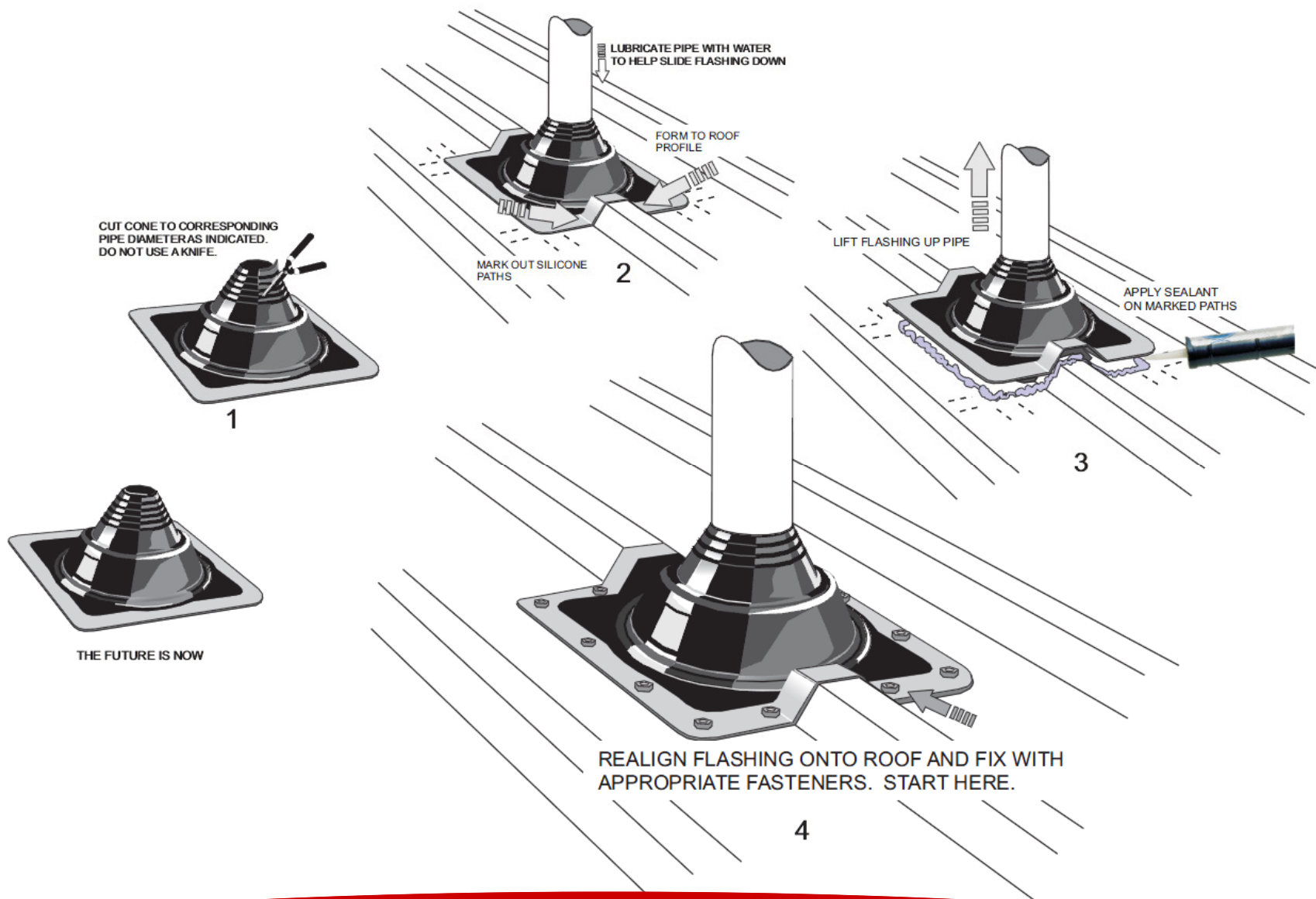


Installation Instructions - Contents



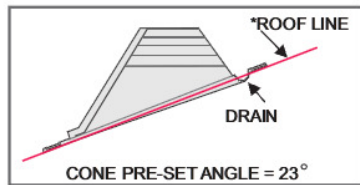
Aquadapt Installation

www.aquariusrubber.com.au



FlashRite Installation

www.aquariusrubber.com.au



LUBRICATE PIPE WITH WATER TO EASE SLIDING

CRIMP FLASHING SHOULDERS WITH RETROFIT CLIPS. FACE JOINT DOWNSTREAM.

FORM TO ROOF PROFILE

LIFT DRAINER TO ACCESS ROOF CUTTING AND SILICONE GUIDE LINES

STEPS 2 & 3 ONLY IF RETRO-FITTING

SPLIT 'SHOULDERS' WITH SCISSORS

MARK OUT SILICONE PATHS

SILICONE GUIDES

REMOVE THIS SECTION OF ROOF (---) USING CUTTERS, SNIPS OR NIBBLER, PERMITTING DRAIN SHAPE TO FORM

CUT CONE TO EXACT CORRESPONDING PIPE DIAMETER. DO NOT USE A KNIFE

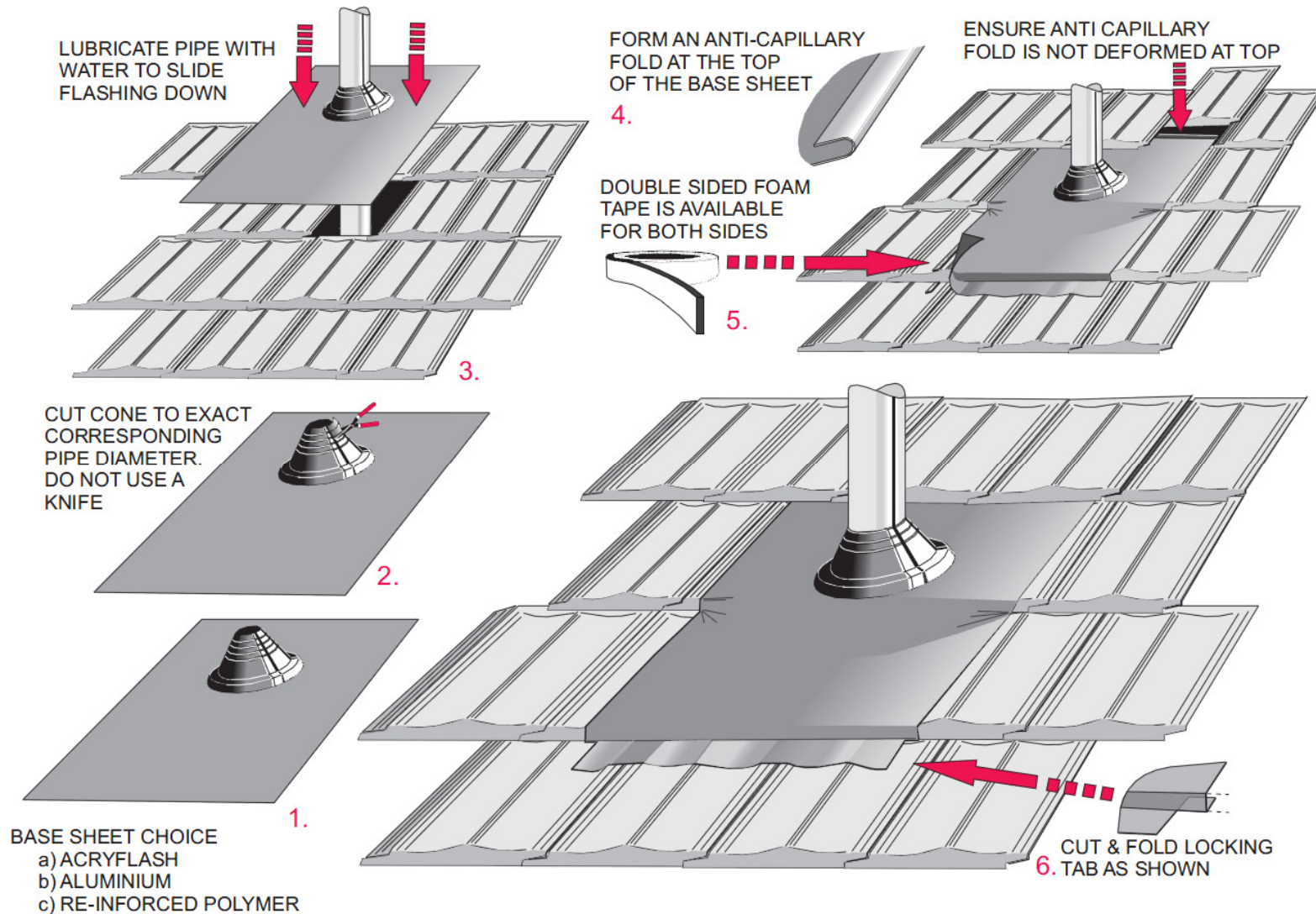
ADD SILICONE NEUTRAL - CURE

REALIGN FLASHING ONTO ROOF AND FIX WITH APPROPRIATE FASTENERS. START HERE.

REMOVED ROOF SECTION

Drainer Insallation

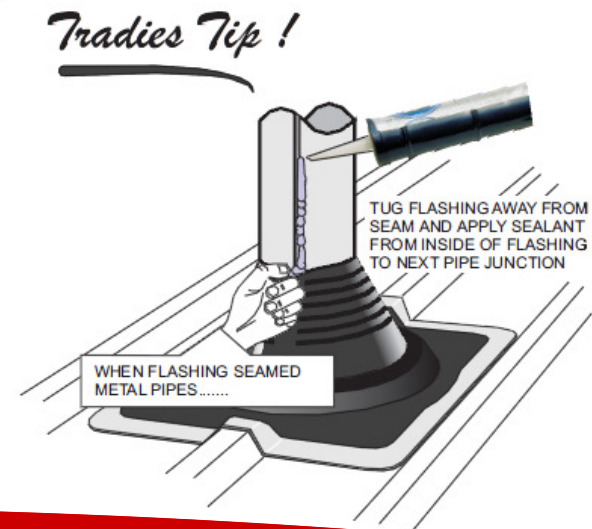
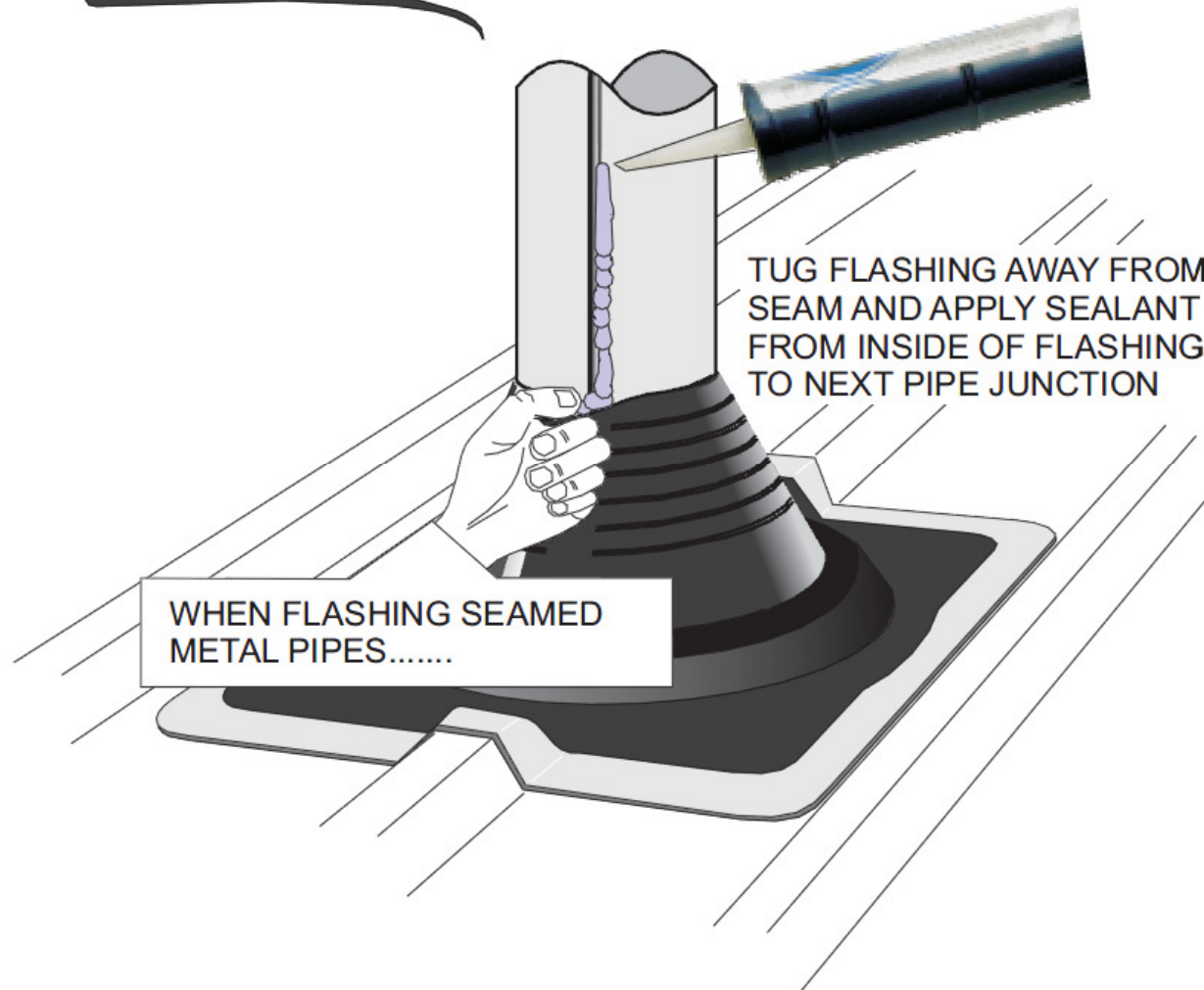
www.aquariusrubber.com.au



Versatile Installation

www.aquariusrubber.com.au

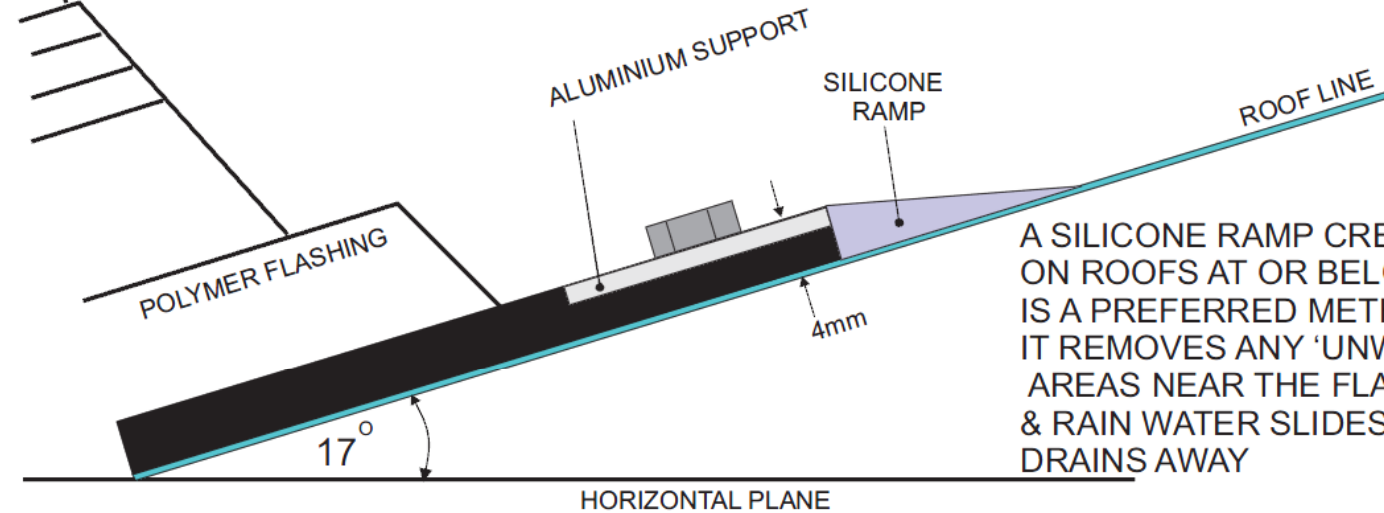
Tradies Tip!



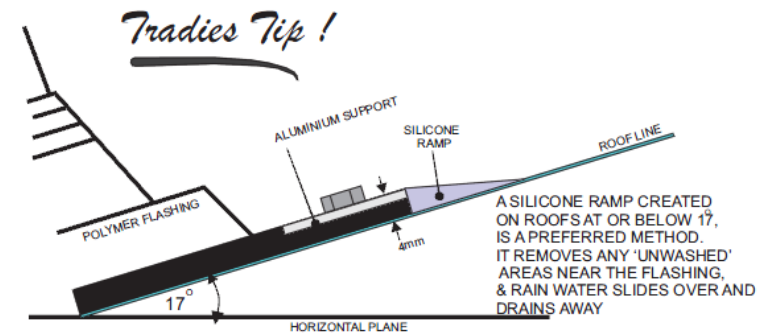
Tradies Tip - Seamed Pipes

www.aquariusrubber.com.au

Tradies Tip!



A SILICONE RAMP CREATED ON ROOFS AT OR BELOW 17°, IS A PREFERRED METHOD. IT REMOVES ANY 'UNWASHED' AREAS NEAR THE FLASHING, & RAIN WATER SLIDES OVER AND DRAINS AWAY



A SILICONE RAMP CREATED ON ROOFS AT OR BELOW 17°, IS A PREFERRED METHOD. IT REMOVES ANY 'UNWASHED' AREAS NEAR THE FLASHING, & RAIN WATER SLIDES OVER AND DRAINS AWAY

Tradies Tip - Silicone Ramp

www.aquariusrubber.com.au