

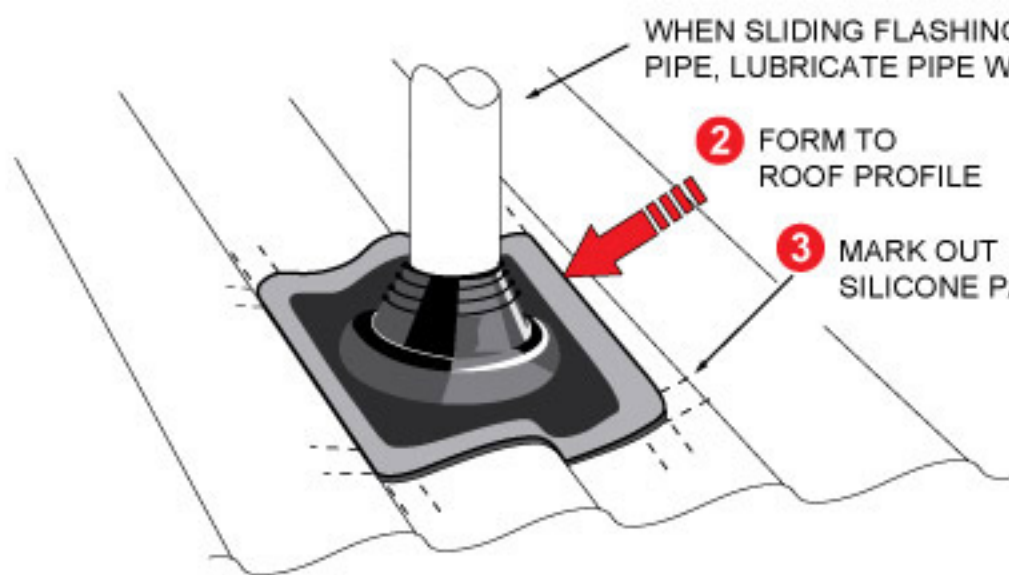
**1** CUT CONE TO EXACT CORRESPONDING PIPE DIAMETER.



WHEN SLIDING FLASHING DOWN PIPE, LUBRICATE PIPE WITH WATER.

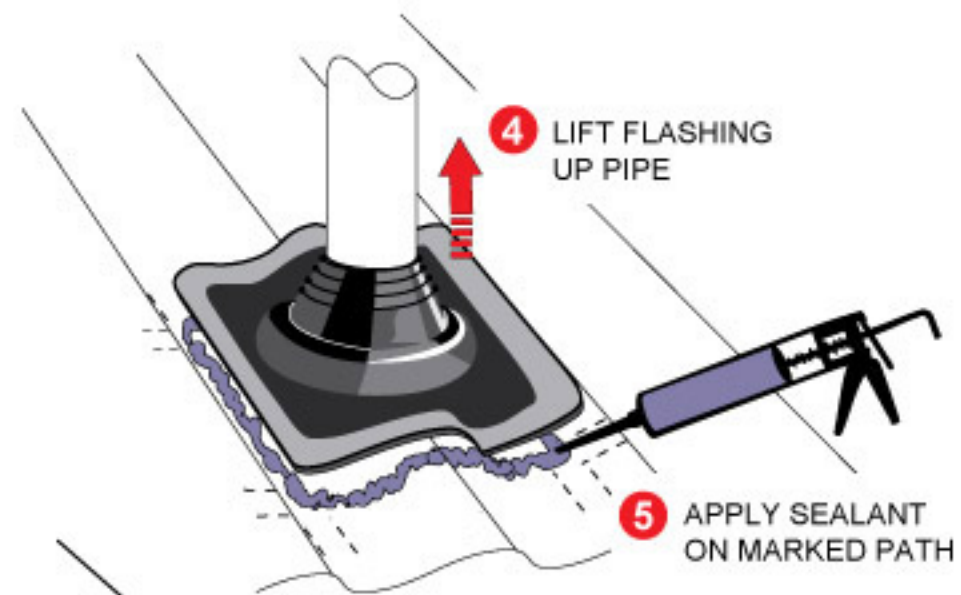
**2** FORM TO ROOF PROFILE

**3** MARK OUT SILICONE PATHS



**4** LIFT FLASHING UP PIPE

**5** APPLY SEALANT ON MARKED PATH



**6** REALIGN FLASHING ONTO ROOF AND FIX WITH APPROPRIATE FASTENERS. START HERE.

