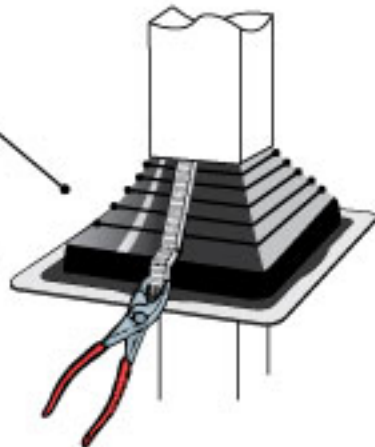


2 SPLIT SHOULDERS WITH SCISSORS



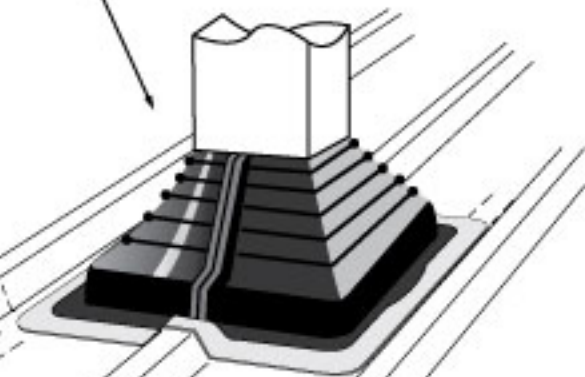
STEPS 2 & 3 ONLY IF RETRO-FITTING

3 CRIMP FLASHING SHOULDERS WITH RETROFIT CLIPS. FACE JOINT DOWNSTREAM.



WHEN SLIDING FLASHING DOWN PIPE, LUBRICATE PIPE WITH WATER.

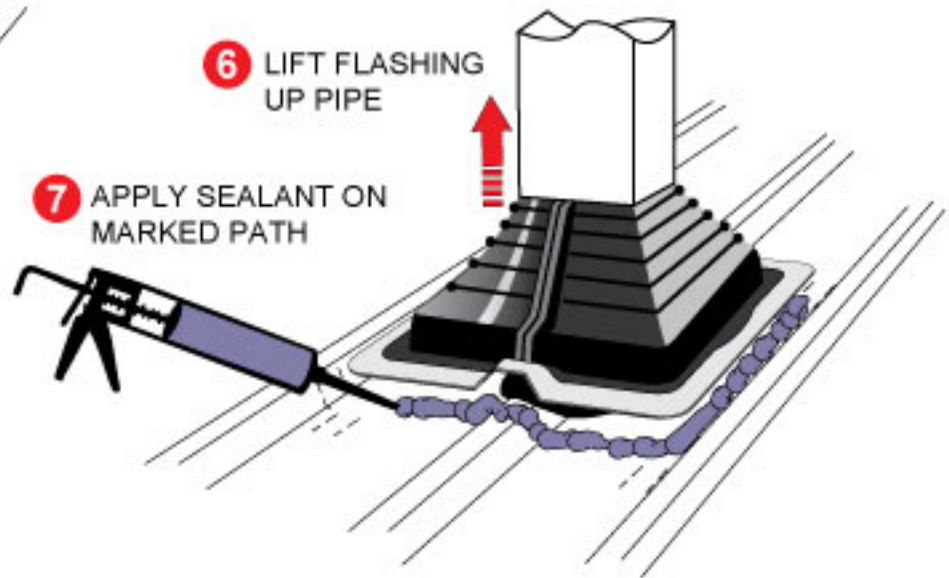
4 FORM TO ROOF PROFILE



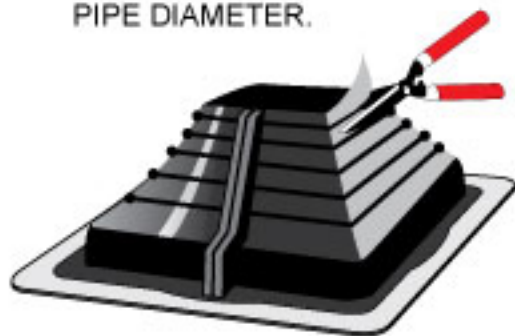
5 MARK OUT SILICONE PATHS

6 LIFT FLASHING UP PIPE

7 APPLY SEALANT ON MARKED PATH



1 CUT CONE TO EXACT CORRESPONDING PIPE DIAMETER.



8 REALIGN FLASHING ONTO ROOF AND FIX WITH APPROPRIATE FASTENERS. START HERE.

