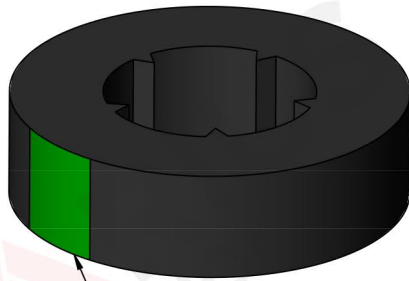
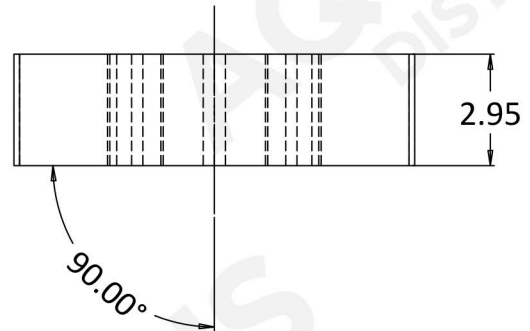
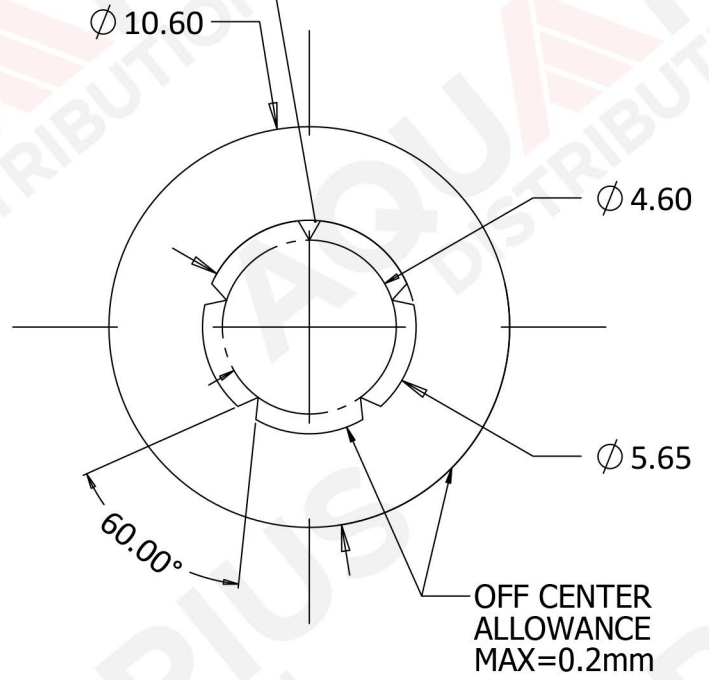


5 TRIANGULAR FLUTES SPACED
EQUIDISTANT AROUND THE
INSIDE DIAMETER



GREEN LINE EXTRUDED
ONTO SURFACE
NOMINAL WIDTH 2mm



Part Number	Display Name	Material
W12CF5B-A	Aquaseal 5 Flute Cut Washer, Black with Green stripe 12 Gauge, I.D. 5.7mm, O.D. 10.6mm, 3mm thick	EPDM

Polymer information

Polymer	Hardness (+/-5)	Colour	Electrical Resistance (1000v)	Non-conductive
EPDM	80-90	Black	> 2000MΩ	Yes